



KUB KAR RALLY 2013 (YORK HEADWATERS)



Kub Kar Rally 2013 Scouts Canada – York Headwaters

Information Package





KUB KAR RALLY 2013 (YORK HEADWATERS)



- DATE:** Saturday, March 2, 2013
- TIME:** Registration begins 9:15 a.m.
Racing begins 10:00 a.m.
Design voting from 10:00 a.m. to 11:30 a.m.
- PLACE:** First Markham Place, 3255 Highway 7 East, Markham

Categories & Prizes

There will be 3 categories of competition in the rally, namely

- Cub Speed;
- Cub Design; and
- Cub and Adult Design

In Cub Speed category, prizes will be given to individual Cubs as well as to the Cub Packs.

A total of 15 prizes will be given to

- First 6 fastest Kars in the Cub Speed competition;
- First 3 highest averaged score Packs in the Cub Speed competition;
- First 3 highest votes in the Cub Design contest.
- First 3 highest votes in the Cub and Adult Design contest.

Registration

Due to time constraint, a maximum of 60 entries will be accepted in the Cub Speed rally. In an effort to increase the participation by the number of Cub Packs, each Pack is allocated a number of entries based on the number of registered youth membership. To encourage the participation of smaller Pack, this number is different depending on the size of the Packs.

The allocation numbers for the Cub Speed category are based on pack sizes.

- 12 or less = 3 entries
- 13 to 20 = 4 entries
- 21 to 30 = 5 entries
- Every 10 gets 1 more entry, i.e. 31 to 40 = 6, 41 to 50 = 7, 51 to 60 = 8

The limit restriction will be removed if the 60 entry spaces are not filled up on February 24. By then all Cub Packs will be invited to register more Kars until all 60 spaces are filled.

There is no entry limit restriction for any Design categories.



KUB KAR RALLY 2013 (YORK HEADWATERS)



For each entry, a youth member must be in attendance. Each Kar can only be entered into 1 category of competition.

Format – Speed Category

Qualifying round - Each entered Kar will run in 6 heats. The competitors will race on each lane of the track an equal number of times. Average time will be tracked based on the fastest 5 of 6 heats of each kar. The lowest average times of the top 13 kars will move onto the finals.

Final Round - Each of the remaining Kars will run in 6 heats. The competitors will race on each lane of the track an equal number of times. Average time will be tracked based on the fastest 5 of 6 heats of each kar. The lowest average times of the top 6 will be awarded trophies.

Format – Speed Category (Pack)

The Speed category by Pack is calculated by combining the top 5 times in the 6 heats of each entry in a pack and averaging this total by the number of runs.

In order to eliminate the extreme situation, a Pack must have at least 3 entries to qualify for the average Group score calculation.

Format – Design

All Kars for Design categories will be reviewed and voted by the rally participants as well as general public. Prizes will be awarded to the 3 highest votes in each Design category.

General Rules

Please ensure that the general rules and the specific rules by category described below are followed in order to avoid disappointment and/or controversy on rally day. Any deviation from the rules may result in disqualification and no refund will be made on any disqualified Kars.

These general rules are applicable to all Kar entries.

- The Kar must be newly built for the current Cub Scouting year from the **official kub kar kit**.
- Major cuts by an adult using hand or power tools is allowed. Adults should only provide guidance.
- For each Kub Kar, the name of the owner and his/her Pack must be clearly visible on the underside of the Kar.
- All Kars will be inspected and numbered at the registration on rally day.
- Independent examiners officially appointed by the Area will be at the registration (judge) desk to determine the eligibility of the Kars entering the rally.
- After registration, the Kub Kars will not be allowed to be adjusted or lubricated with the exception of repairing damage that has rendered the Kar unable to compete, for example repairing for a wheel that has fallen off.
- The decisions of rally officials concerning all races and events are final.



KUB KAR RALLY 2013 (YORK HEADWATERS)



Rules – Speed Category

In general, the rules shipped in the Kub Kar kit will apply.

- The weight scales used at registration will be considered as official.
- Any lubricant may be used, but it must be dry at the time of inspection. All excess lubrication must be removed before inspection.
- Wheels may be lightly sanded and polished, but must retain the original shape (diameter, width, profile, and geometry).
- The entire car must stage behind the starting pin, recommended to leave at least a 1 cm flat area at the front of the Kar.

Car Specifications

WIDTH

Overall width including wheels is not to exceed 7 centimetres or 2 3/4 inches.
The minimum distance between the wheels is 4.5 centimetres or 1 3/4 inches.

LENGTH

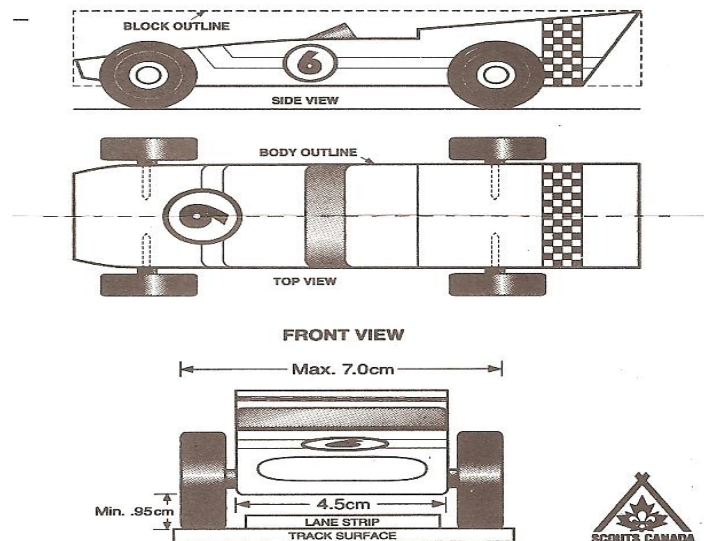
Overall length is not to exceed 17.8 centimetres or 7 inches.

WEIGHT

Overall weight is not to exceed 142 grams or 5 ounces.

HEIGHT

Clearance between the chassis and the track should be .95 centimetres or 3/8ths of an inch.



RESTRICTIONS

Wheel Bearings, washers and bushings are prohibited. The car shall not ride on springs. Details and attachments may be added providing they are securely fastened and do not exceed the maximum length, width and weight specifications. The car must be free-wheeling and may only be propelled by the force of gravity. Kub Kars are subject to inspection by an official inspection committee to determine eligibility.

Rules – Design Category

Major cuts by an adult are allowed in either design category this year.

To be eligible for the Cub Design, the Kar must be from the basic Kub Kar kit. NO adult assistance shall have been given beyond the major cuts outlined in the general rules. Kars must only be made from materials supplied in the kit, NO add-on items except stickers from the kit and the Kub Kar template and decals that are sold from the Scouts Shop are allowed. Paints and enamels may be used to finish the Kars but cannot be used to form parts, fenders, spoilers, etc. for Kars.



KUB KAR RALLY 2013 (YORK HEADWATERS)



For Cub and Adult Design, pre-cut Kub Kar kit purchased from the Scouts Shop is allowed. Stickers from the kit and the Kub Kar template and decals that sold from the Scouts Shop are allowed. Add-on items other than the cutting from the kit are prohibited.

Rally Day Registration

NO new registration will be accepted on rally day.

To streamline the registration process on rally day, Akela or his/her representative of each Pack should gather all youths and their Kars and ensure any final adjustments or lubrication of the Kars take place prior to the registration. The Akela or the Pack representative is responsible for the group registration and present payment to the registration desk. Each Pack should present a cheque payable to “Scouts Canada 4th Markham Group”.

Payment to be made will be based on the total number of registered entries. The registration fee for each Kar is \$5 on or before February 24, 2013 and \$8 to February 28, 2013. The whole Pack would be rejected if payment were not made in full. The registration fee is non-refundable. It applies to any no-shows or disqualified Kars.

Each Pack will receive an enveloped package at registration with additional information and handouts for the youths. Kars should be presented to the judge table for inspection by the officials to ensure they qualify.

The registration desk will be closed at 9:55 a.m. sharp.

At the conclusion of the rally, the Pack representatives are requested to retrieve all his/her Pack's Kars and return them to the youths.



Kub Kar Rally 2013 York Headwaters Registration Form

Early Registration: February 24, 2013, \$5
REGISTRATION DEADLINE: February 28, 2013 \$8

Group Name: _____

Group Contact Person: _____ Phone: _____ Email: _____

Pack Size

Please Note: Each Group is responsible to ensure proper Leader/Youth ratios for their Group are maintained during the event.

Speed Entries

	LAST NAME	FIRST NAME		Group	Rally Use Only:
1					
2					
3					
4					
5					
6					
7					
8					
9					
10					

Cub Design Entries

	LAST NAME	FIRST NAME		Group	Rally Use Only:
1					
2					
3					
4					
5					

Cub and Adult Design Entries

	LAST NAME	FIRST NAME		Group	Rally Use Only:
1					
2					
3					
4					
5					

Total # Participants:
 x \$5.00 fee if by Feb 24th

Total Fee Submitted: \$

Please email form to John Hotta at john@hotta.ca Payment is due by cash or cheque payable to "Scouts Canada 4th Markham Group" on event date Thank you.